

**680**  
Con Grillete



**680**  
Con Placa  
Conectora



**680**  
Solo Perno



## 680 Pasteccas para la Construcción

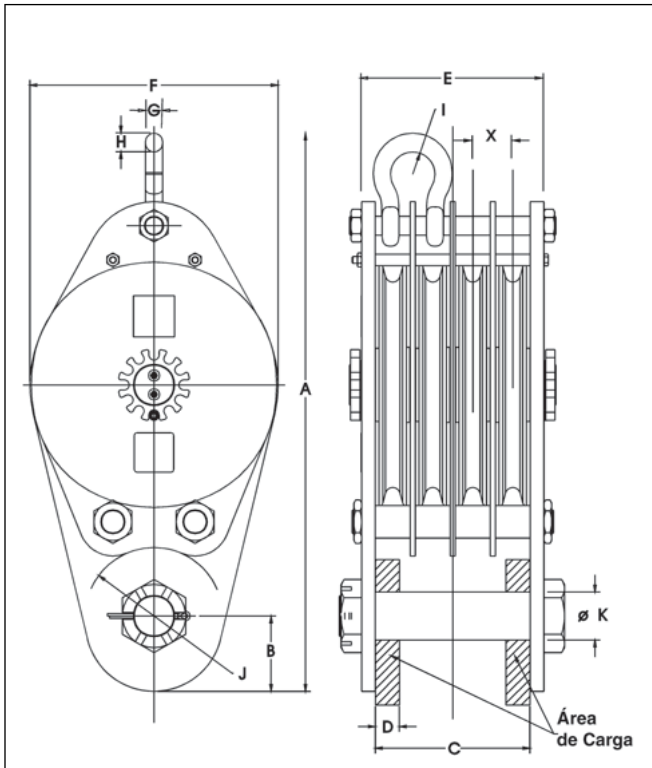
- Disponible amplia gama de productos
- Capacidades de : 5 a 100 Ton - Modelos mayores disponibles
- Diámetro exterior de poleas de : 6" a 24"
- Cable de acero de: 3/8" a 1-1/4"
- Equipado con grilletes genuinos Crosby® de acero forjado, templados y revenidos con las marcas patentadas **QUIC-CHECK®**.
- Factor de diseño de 4 a 1.
- Fabricados en instalaciones certificadas por ISO 9001 y API Q1.
- Todas las Pasteccas serie 680 son fabricadas con buje de bronce.
- Todas las Pasteccas de 16" ó mayores son fabricadas con poleas McKissick® Forjadas-Roladas® con endurecimiento de flama en las ranuras.
- Las poleas son lubricadas por un perno central, con canal de lubricación independiente para cada cojinete.
- Pasteccas de una polea tienen un punto muerto con guardacabo. Cumple o excede todos los requerimientos de ASME B30.26, incluidos los de identificación, ductilidad, factor de diseño, carga de prueba y temperatura. Además, estas pasteccas cumplen con otros requerimientos críticos de desempeño, incluidos la vida de fatiga, las propiedades de impacto y la trazabilidad del material, no tratados en ASME B30.26. desempeño, incluidos la vida de fatiga, las propiedades de impacto y la trazabilidad del material, no tratados en ASME B30.26

### Opciones Disponibles

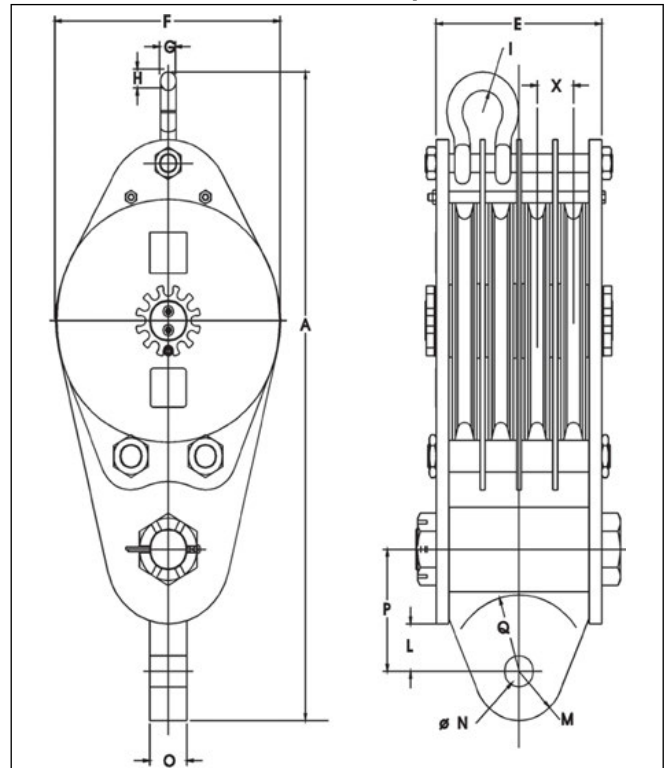
- Cojinetes de rodillos.
- Modelos con placa de conexión ó solamente perno disponible.
- Pruebas y certificación por tercerías.
- Acabado Galvanizado - En la mayoría de los modelos.



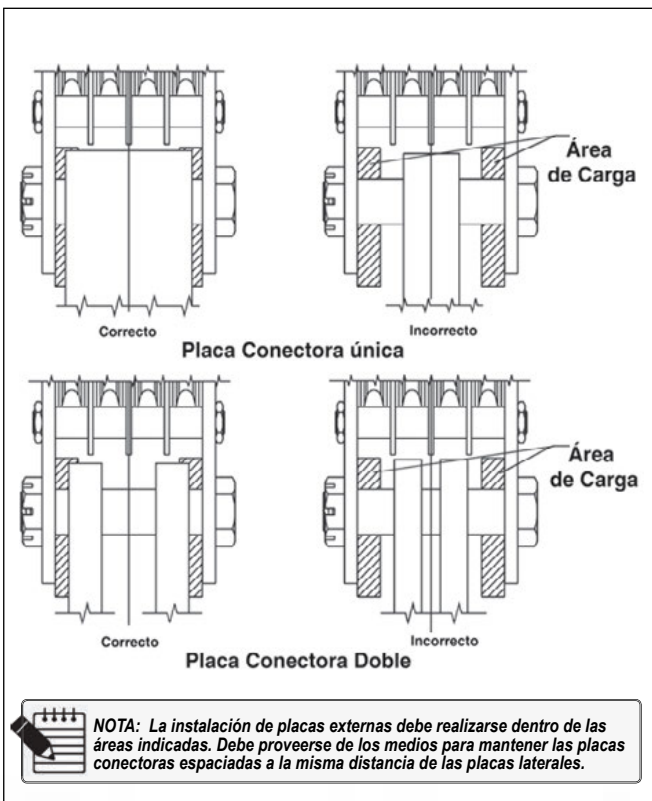
## Terminación "P" Pasteca solamente con Perno



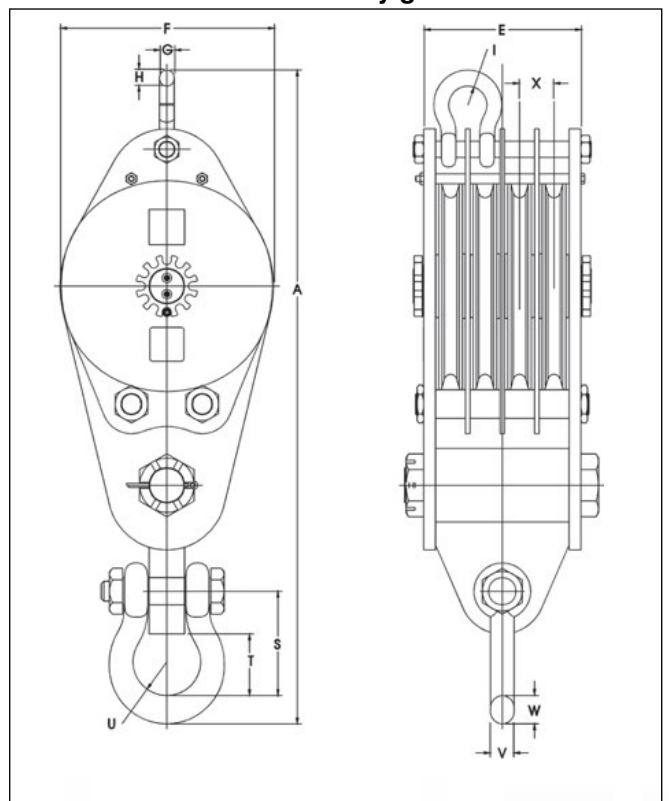
## Terminación "H" Pastecas con placa de conexión



## Pastecas Placas Externas

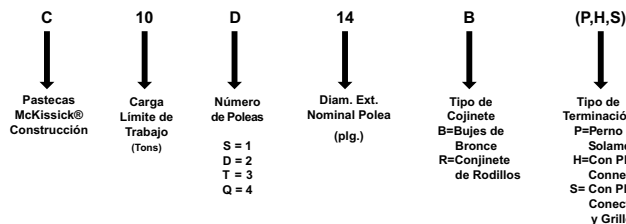


## Terminación "S" Pastecas con placa conectora y grillete



## Pastecas 680 – Terminal “P”

### Claves para los números y letras de la Pasteca McKissick®



Sheave Diameter (in.)	WireLine Size (in.)									
	3/8	7/16	1/2	9/16	5/8	3/4	7/8	1	1-1/8	1-1/4
6										
8										
10										
12										
14										
16										
18										
20										
24										



Todos los tamaños son EQUIPADOS CON RFID.

### Pastecas 680 Terminal "P" - Pasteca Solamente con perno - Ver el Dibujo en Pagina 339

Modelo No.	680-P No. de Parte	Carga Límite de Trabajo (Tons)	No. de Poleas	Diámetro de las Polea (plg.)	Dimensiones (plg.)												Peso de c/u (lbs.)
					A	B	C	D	E	F	G	H	I	J	K	X	
<b>5 Tons</b>																	
C5S6BP	2101000	5	1	6	12.12	1.62	1.78	-	2.28	6.12	-	-	-	2.00	1.25	-	19
C5S8BP	2101002	5	1	8	14.00	1.62	1.78	-	2.28	8.12	-	-	-	2.00	1.25	-	31
C5D6BP	2101010	5	2	6	14.75	1.62	3.81	1.06	4.31	6.12	.63	.69	.84	1.79	1.25	2.03	33
C5D8BP	2101012	5	2	8	16.62	1.62	3.81	1.06	4.31	8.12	.63	.69	.84	1.79	1.25	2.03	54
C5T6BP	2101020	5	3	6	14.75	1.62	5.84	1.06	6.34	6.12	.63	.69	.84	1.79	1.25	2.03	45
C5T8BP	2101022	5	3	8	16.62	1.62	5.84	1.06	6.34	8.12	.63	.69	.84	1.79	1.25	2.03	75
<b>7.5 Tons</b>																	
C7S6BP	2101050	7.5	1	6	12.12	1.62	1.78	-	2.28	6.12	-	-	-	2.00	1.25	-	19
C7S8BP	2101052	7.5	1	8	14.00	1.62	1.78	-	2.28	8.12	-	-	-	2.00	1.25	-	31
C7D6BP	2101060	7.5	2	6	14.75	1.62	3.81	.62	4.31	6.12	.63	.69	.84	1.79	1.25	2.03	33
C7D8BP	2101062	7.5	2	8	16.62	1.62	3.81	.62	4.31	8.12	.63	.69	.84	1.79	1.25	2.03	54
C7T6BP	2101070	7.5	3	6	14.75	1.62	5.84	.62	6.34	6.12	.63	.69	.84	1.79	1.25	2.03	45
C7T8BP	2101072	7.5	3	8	16.62	1.62	5.84	.62	6.34	8.12	.63	.69	.84	1.79	1.25	2.03	75
<b>10 Tons</b>																	
C10S8BP	2101100	10	1	8	15.12	2.12	1.78	-	2.28	8.12	-	-	-	2.38	1.50	-	34
C10S10BP	2101102	10	1	10	17.12	2.12	1.78	-	2.28	10.12	-	-	-	2.38	1.50	-	47
C10S12BP	2101104	10	1	12	19.00	2.12	1.78	-	2.28	12.12	-	-	-	2.38	1.50	-	57
C10S14BP	2101106	10	1	14	21.12	2.12	1.78	-	2.28	14.12	-	-	-	2.38	1.50	-	64
C10D6BP	2101110	10	2	6	15.69	2.12	3.81	.88	4.31	6.12	.63	.69	.84	2.12	1.50	2.03	41
C10D8BP	2101112	10	2	8	17.44	2.12	3.81	.88	4.31	8.12	.63	.69	.84	2.12	1.50	2.03	58
C10D10BP	2101114	10	2	10	19.44	2.12	3.81	.88	4.31	10.12	.63	.69	.84	2.12	1.50	2.03	82
C10D12BP	2101116	10	2	12	21.31	2.12	3.81	.88	4.31	12.12	.63	.69	.84	2.12	1.50	2.03	99
C10D14BP	2101118	10	2	14	23.44	2.12	3.81	.88	4.31	14.12	.63	.69	.84	2.12	1.50	2.03	114
C10T8BP	2101120	10	3	8	17.44	2.12	5.84	.88	6.34	8.12	.63	.69	.84	2.12	1.50	2.03	81
C10T10BP	2101122	10	3	10	19.44	2.12	5.84	.88	6.34	10.12	.63	.69	.84	2.12	1.50	2.03	115
C10T12BP	2101124	10	3	12	21.31	2.12	5.84	.88	6.34	12.12	.63	.69	.84	2.12	1.50	2.03	138
C10T14BP	2101126	10	3	14	23.44	2.12	5.84	.88	6.34	14.12	.63	.69	.84	2.12	1.50	2.03	162
C10Q8BP	2101130	10	4	8	17.44	2.12	7.87	.88	8.37	8.12	.63	.69	.84	2.12	1.50	2.03	103
C10Q10B	2101132	10	4	10	19.44	2.12	7.87	.88	8.37	10.12	.63	.69	.84	2.12	1.50	2.03	149
<b>15 Tons</b>																	
C15S10B	2101170	15	1	10	19.19	2.88	2.04	-	3.04	10.12	-	-	-	3.12	2.00	-	76
C15S12BP	2101172	15	1	12	21.06	2.88	2.04	-	3.04	12.12	-	-	-	3.12	2.00	-	92
C15S14SP	2101174	15	1	14	23.06	2.88	2.04	-	3.04	14.12	-	-	-	3.12	2.00	-	111
C15D10BP	2101180	15	2	10	22.19	2.88	4.34	1.25	5.34	10.12	.75	.81	1.00	2.82	2.00	2.30	115
C15D12BP	2101182	15	2	12	24.06	2.88	4.34	1.25	5.34	12.12	.75	.81	1.00	2.82	2.00	2.30	138
C15D14BP	2101184	15	2	14	26.06	2.88	4.34	1.25	5.34	14.12	.75	.81	1.00	2.82	2.00	2.30	168
C15T8BP	2101190	15	3	8	20.19	2.88	6.64	1.25	7.64	8.12	.75	.81	1.00	2.82	2.00	2.30	105
C15T10BP	2101192	15	3	10	22.19	2.88	6.64	1.25	7.64	10.12	.75	.81	1.00	2.82	2.00	2.30	152
C15T12BP	2101194	15	3	12	24.06	2.88	6.64	1.25	7.64	12.12	.75	.81	1.00	2.82	2.00	2.30	182
C15T14BP	2101196	15	3	14	26.06	2.88	6.64	1.25	7.64	14.12	.75	.81	1.00	2.82	2.00	2.30	214
C15Q10BP	2101200	15	4	10	22.19	2.88	8.94	1.25	9.94	10.12	.75	.81	1.00	2.82	2.00	2.30	209
<b>20 Tons</b>																	
C20S18BP	2101244	20	1	18	27.88	3	2.54	.75	4.04	18.12	-	-	-	3.12	2.00	-	203
C20D12BP	2101250	20	2	12	27.69	3	4.34	.75	5.84	12.12	.88	.97	1.14	2.82	2.00	2.30	166
C20D14BP	2101252	20	2	14	28.50	3	4.34	.75	5.84	14.12	.88	.97	1.14	2.82	2.00	2.30	199



# Pastecas McKissick® para la Construcción

**680 Blocks – “P” Fitting – Blocks with Bolt Only – See Drawing on Page 339**

Modelo No.	680-P No. de Parte	Carga Límite de Trabajo (Tons)	No. de Poleas	Diámetro de las Polea (plg.)	Dimensiones (plg.)											Peso de c/u (lbs.)	
					A	B	C	D	E	F	G	H	I	J	K		X
C45Q18BP	2101606	45	4	18	37.00	4.25	11.33	1.00	13.33	18.12	1.13	1.25	1.46	4.20	3.00	2.90	683
<b>50 Tons</b>																	
C50D20BP	2101640	50	2	20	42.00	5.50	5.84	1.75	7.84	20.12	1.25	1.38	1.62	4.89	3.50	3.30	614
C50D24BP	2101642	50	2	24	46.00	5.50	5.84	1.75	7.84	24.12	1.25	1.38	1.62	4.89	3.50	3.30	797
C50T18BP	2101650	50	3	18	40.75	5.50	8.40	1.75	10.40	18.12	1.25	1.38	1.62	4.89	3.50	2.90	598
C50T20BP	2101652	50	3	20	42.00	5.50	8.40	1.75	10.40	20.12	1.25	1.38	1.62	4.89	3.50	2.90	710
C50T24BP	2101654	50	3	24	46.00	5.50	8.40	1.75	10.40	24.12	1.25	1.38	1.62	4.89	3.50	2.90	923
C50Q16BP	2101660	50	4	16	38.62	5.50	11.33	1.75	13.33	16.12	1.25	1.38	1.62	4.89	3.50	2.90	598
C50Q18BP	2101662	50	4	18	40.75	5.50	11.33	1.75	13.33	18.12	1.25	1.38	1.62	4.89	3.50	2.90	748
<b>55 Tons</b>																	
C55D20BP	2101700	55	2	20	42.00	5.50	5.84	1.56	7.84	20.12	1.25	1.38	1.62	4.89	3.50	3.30	614
C55D24BP	2101702	55	2	24	46.00	5.50	5.84	1.56	7.84	24.12	1.25	1.38	1.62	4.89	3.50	3.30	797
C55T18BP	2101710	55	3	18	40.75	5.50	8.40	1.56	10.40	18.12	1.25	1.38	1.62	4.89	3.50	2.90	598
C55T20BP	2101712	55	3	20	42.00	5.50	8.40	1.56	10.40	20.12	1.25	1.38	1.62	4.89	3.50	2.90	710
C55T24BP	2101714	55	3	24	46.00	5.50	8.40	1.56	10.40	24.12	1.25	1.38	1.62	4.89	3.50	2.90	923
C55Q16BP	2101720	55	4	16	38.62	5.50	11.33	1.56	13.33	16.12	1.25	1.38	1.62	4.89	3.50	2.90	598
C55Q18BP	2101722	55	4	18	40.75	5.50	11.33	1.56	13.33	18.12	1.25	1.38	1.62	4.89	3.50	2.90	748
<b>60 Tons</b>																	
C60T18BP	2101760	60	3	18	40.75	5.50	8.40	1.38	10.40	18.12	1.25	1.38	1.62	4.89	3.50	2.90	598
C60T20BP	2101762	60	3	20	42.00	5.50	8.40	1.38	10.40	20.12	1.25	1.38	1.62	4.89	3.50	2.90	710
C60T24BP	2101764	60	3	24	46.00	5.50	8.40	1.38	10.40	24.12	1.25	1.38	1.62	4.89	3.50	2.90	923
C60Q18BP	2101770	60	4	18	40.75	5.50	11.33	1.38	13.33	18.12	1.25	1.38	1.62	4.89	3.50	2.90	748
C60Q20BP	2101772	60	4	20	42.00	5.50	11.33	1.38	13.33	20.12	1.25	1.38	1.62	4.89	3.50	2.90	898
C60Q24BP	2101774	60	4	24	46.00	5.50	11.33	1.38	13.33	24.12	1.25	1.38	1.62	4.89	3.50	2.90	1108
<b>65 Tons</b>																	
C65T18BP	2101810	65	3	18	40.75	5.50	8.40	1.19	10.40	18.12	1.25	1.38	1.62	4.89	3.50	2.90	598
C65T20BP	2101812	65	3	20	42.00	5.50	8.40	1.19	10.40	20.12	1.25	1.38	1.62	4.89	3.50	2.90	710
C65T24BP	2101814	65	3	24	46.00	5.50	8.40	1.19	10.40	24.12	1.25	1.38	1.62	4.89	3.50	2.90	923
C65Q18BP	2101820	65	4	18	40.75	5.50	11.33	1.19	13.33	18.12	1.25	1.38	1.62	4.89	3.50	2.90	748
C65Q20BP	2101822	65	4	20	42.00	5.50	11.33	1.19	13.33	20.12	1.25	1.38	1.62	4.89	3.50	2.90	898
C65Q24BP	2101824	65	4	24	46.00	5.50	11.33	1.19	13.33	24.12	1.25	1.38	1.62	4.89	3.50	2.90	1108
<b>70 Tons</b>																	
C70T20BP	2101830	70	3	20	46.25	7.00	9.14	1.75	11.14	20.12	1.38	1.50	1.82	5.58	4.00	3.30	890
C70Q20BP	2101840	70	4	20	46.25	7.00	11.31	1.75	13.31	20.12	1.38	1.50	1.82	5.58	4.00	2.90	935
C70Q24BP	2101842	70	4	24	50.25	7.00	11.31	1.75	13.31	24.12	1.38	1.50	1.82	5.58	4.00	2.90	1260
C70QN20BP	2101850	70	5	20	46.25	7.00	9.14	1.75	18.23	20.12	1.38	1.50	1.82	5.58	4.00	3.30	1305
C70QN24BP	2101852	70	5	24	50.25	7.00	9.14	1.75	18.23	24.12	1.38	1.50	1.82	5.58	4.00	3.30	1715
<b>80 Tons</b>																	
C80T20BP	2101860	80	3	20	46.25	7.00	9.14	1.44	11.14	20.12	1.38	1.50	1.82	5.58	4.00	3.30	890
C80Q20BP	2101870	80	4	20	46.25	7.00	11.31	1.44	13.31	20.12	1.38	1.50	1.82	5.58	4.00	2.90	1000
C80Q24BP	2101872	80	4	24	50.25	7.00	11.31	1.44	13.31	24.12	1.38	1.50	1.82	5.58	4.00	2.90	1260
C80QN20BP	2101880	80	5	20	46.25	7.00	9.14	1.44	18.23	20.12	1.38	1.50	1.82	5.58	4.00	3.30	1305
C80QN24BP	2101882	80	5	24	50.25	7.00	9.14	1.44	18.23	24.12	1.38	1.50	1.82	5.58	4.00	3.30	1715
<b>90 Tons</b>																	
C90Q20BP	2101920	90	4	20	46.25	7.50	11.31	1.19	13.81	20.12	1.38	1.50	1.82	5.58	4.00	2.90	1060
C90Q24BP	2101922	90	4	24	50.75	7.50	11.31	1.19	13.81	24.12	1.38	1.50	1.82	5.58	4.00	2.90	1420
C90QN20BP	2101930	90	5	20	46.75	7.50	9.14	1.19	18.23	20.12	1.38	1.50	1.82	5.58	4.00	3.30	1305
C90QN24BP	2101932	90	5	24	50.75	7.50	9.14	1.19	18.23	24.12	1.38	1.50	1.82	5.58	4.00	3.30	1775
<b>100 Tons</b>																	
C100QN20BP	2101970	100	5	20	46.75	7.50	9.14	1.00	18.23	20.12	1.38	1.50	1.82	5.58	4.00	3.30	1305
C100QN24BP	2101972	100	5	24	50.75	7.50	9.14	1.00	18.23	24.12	1.38	1.50	1.82	5.58	4.00	3.30	1775
C100SX20BP	2101980	100	6	20	46.75	7.50	11.31	1.00	20.41	20.12	1.38	1.50	1.82	5.58	4.00	2.90	1365
C100SX24BP	2101982	100	6	24	50.75	7.50	11.31	1.00	20.41	24.12	1.38	1.50	1.82	5.58	4.00	2.90	1855

# Pastecas McKissick® para la Construcción



## Pastecas 680 – Terminal “H”

Key to McKissick® 680 Construction Block Model Numbers					
C	10	D	14	B	(P,H,S)
↓	↓	↓	↓	↓	↓
McKissick Construction Blocks	Working Load Limit (Tons)	Number of Sheaves	Sheave Nominal O.D. (in.)	Bearing Type	Fitting Type
		S = 1 D = 2 T = 3 Q = 4		B = Bronze Bushed R = Roller Bearing	P = Bolt Only H = with Hanger S = with Hanger and Shackles

Sheave Diameter (in.)	WireLine Size (in.)									
	3/8	7/16	1/2	9/16	5/8	3/4	7/8	1	1-1/8	1-1/4
6										
8										
10										
12										
14										
16										
18										
20										
24										



Todos los tamaños son EQUIPADOS CON RFID.

### Pastecas 680 Terminal "H" - Pasteca con placa conectora - Ver el Dibujo en Pagina 339

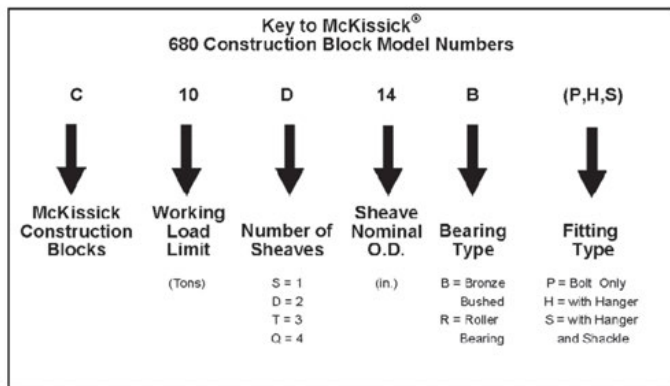
Modelo No.	680-H No. de Parte	Carga Límite de Trabajo (Tons)	No. de Poleas	Diámetro de las Poleas (plg.)	Dimensiones (plg.)													Peso de c/u (lbs.)
					A	E	F	G	H	I	L	M	N	O	P	Q	X	
<b>5 Tons</b>																		
C5S6BH	2102000	5	1	6	15.00	2.28	6.12	-	-	-	1.63	1.25	1.06	1.16	3.25	1.86	-	22
C5S8BH	2102002	5	1	8	16.88	2.28	8.12	-	-	-	1.63	1.25	1.06	1.16	3.25	1.86	-	34
C5D6BH	2102010	5	2	6	17.62	4.31	6.12	.63	.69	.84	1.63	1.25	1.06	1.16	3.25	2.25	2.03	37
C5D8BH	2102012	5	2	8	19.50	4.31	8.12	.63	.69	.84	1.63	1.25	1.06	1.16	3.25	2.25	2.03	58
C5T6BH	2102020	5	3	6	17.62	6.34	6.12	.63	.69	.84	1.63	1.25	1.06	1.16	3.25	2.25	2.03	51
C5T8BH	2102022	5	3	8	19.50	6.34	8.12	.63	.69	.84	1.63	1.25	1.06	1.16	3.25	2.25	2.03	81
<b>7.5 Tons</b>																		
C7S6BH	2102050	7.5	1	6	15.00	2.28	6.12	-	-	-	1.63	1.25	1.06	1.16	3.25	1.86	-	22
C7S8BH	2102052	7.5	1	8	16.88	2.28	8.12	-	-	-	1.63	1.25	1.06	1.16	3.25	1.86	-	34
C7D6BH	2102060	7.5	2	6	17.62	4.31	6.12	.63	.69	.84	1.63	1.25	1.06	1.16	3.25	2.25	2.03	37
C7D8BH	2102062	7.5	2	8	19.50	4.31	8.12	.63	.69	.84	1.63	1.25	1.06	1.16	3.25	2.25	2.03	58
C7T6BH	2102070	7.5	3	6	17.62	6.34	6.12	.63	.69	.84	1.63	1.25	1.06	1.16	3.25	2.25	2.03	51
C7T8BH	2102072	7.5	3	8	19.50	6.34	8.12	.63	.69	.84	1.63	1.25	1.06	1.16	3.25	2.25	2.03	81
<b>10 Tons</b>																		
C10S8BH	2102100	10	1	8	18.38	2.28	8.12	-	-	-	1.88	1.38	1.31	1.69	4.00	2.08	-	39
C10S10BH	2102102	10	1	10	20.38	2.28	10.12	-	-	-	1.88	1.38	1.31	1.69	4.00	2.08	-	52
C10S12BH	2102104	10	1	12	22.25	2.28	12.12	-	-	-	1.88	1.38	1.31	1.69	4.00	2.08	-	62
C10S14BH	2102106	10	1	14	24.38	2.28	14.12	-	-	-	1.88	1.38	1.31	1.69	4.00	2.08	-	69
C10D6BH	2102110	10	2	6	18.94	4.31	6.12	.63	.69	.84	1.88	1.38	1.31	1.69	4.00	2.68	2.03	44
C10D8BH	2102112	10	2	8	20.69	4.31	8.12	.63	.69	.84	1.88	1.38	1.31	1.69	4.00	2.68	2.03	65
C10D10BH	2102114	10	2	10	22.69	4.31	10.12	.63	.69	.84	1.88	1.38	1.31	1.69	4.00	2.68	2.03	89
C10D12BH	2102116	10	2	12	24.56	4.31	12.12	.63	.69	.84	1.88	1.38	1.31	1.69	4.00	2.68	2.03	106
C10D14BH	2102118	10	2	14	26.69	4.31	14.12	.63	.69	.84	1.88	1.38	1.31	1.69	4.00	2.68	2.03	121
C10T8BH	2102120	10	3	8	20.69	6.34	8.12	.63	.69	.84	1.88	1.38	1.31	1.69	4.00	3.47	2.03	90
C10T10BH	2102122	10	3	10	22.69	6.34	10.12	.63	.69	.84	1.88	1.38	1.31	1.69	4.00	3.47	2.03	124
C10T12BH	2102124	10	3	12	24.56	6.34	12.12	.63	.69	.84	1.88	1.38	1.31	1.69	4.00	3.47	2.03	147
C10T14BH	2102126	10	3	14	26.69	6.34	14.12	.63	.69	.84	1.88	1.38	1.31	1.69	4.00	3.47	2.03	171
C10Q8BH	2102130	10	4	8	20.69	8.37	8.12	.63	.69	.84	1.88	1.38	1.31	1.69	4.00	3.62	2.03	115
C10Q10BH	2102132	10	4	10	22.69	8.37	10.12	.63	.69	.84	1.88	1.38	1.31	1.69	4.00	3.62	2.03	161
<b>15 Tons</b>																		
C15S10BH	2102170	15	1	10	23.69	3.04	10.12	-	-	-	2.62	1.88	1.56	2.12	5.50	2.81	-	86
C15S12BH	2102172	15	1	12	25.56	3.04	12.12	-	-	-	2.62	1.88	1.56	2.12	5.50	2.81	-	102
C15S14BH	2102174	15	1	14	27.56	3.04	14.12	-	-	-	2.62	1.88	1.56	2.12	5.50	2.81	-	121
C15D10BH	2102180	15	2	10	26.69	5.34	10.1	.75	.81	1.00	2.62	1.88	1.56	2.12	5.50	3.40	2.30	131
C15D12BH	2102182	15	2	12	28.56	5.34	12.12	.75	.81	1.00	2.62	1.88	1.56	2.12	5.50	3.40	2.30	154
C15D14BH	2102184	15	2	14	30.56	5.34	14.12	.75	.81	1.00	2.62	1.88	1.56	2.12	5.50	3.40	2.30	184
C15T8BH	2102190	15	3	8	24.69	7.64	8.12	.75	.81	1.00	2.62	1.88	1.56	2.12	5.50	3.88	2.30	127
C15T10BH	2102192	15	3	10	26.69	7.64	10.12	.75	.81	1.00	2.62	1.88	1.56	2.12	5.50	3.88	2.30	174
C15T12BH	2102194	15	3	12	28.56	7.64	12.12	.75	.81	1.00	2.62	1.88	1.56	2.12	5.50	3.88	2.30	204
C15T14BH	2102196	15	3	14	30.56	7.64	14.12	.75	.81	1.00	2.62	1.88	1.56	2.12	5.50	3.88	2.30	236
C15Q10BH	2102200	15	4	10	26.69	9.94	10.12	.75	.81	1.00	2.62	1.88	1.56	2.12	5.50	3.88	2.30	216
<b>20 Tons</b>																		
C20S18BH	2102244	20	1	18	32.25	4.04	18.12	-	-	-	2.5	1.88	1.69	2.12	5.50	2.80	-	215







## Pastecas 680 – Terminal “S”



Sheave Diameter (in.)	WireLine Size (in.)									
	3/8	7/16	1/2	9/16	5/8	3/4	7/8	1	1-1/8	1-1/4
6										
8										
10										
12										
14										
16										
18										
20										
24										



Todos los tamaños son EQUIPADOS CON RFID.

### Pastecas 680 Terminal "S" - Pasteca con Placa Conectora y Grillete - Ver el Dibujo en Pagina 333

Modelo No.	680-S No. de Parte	Carga Límite de Trabajo (Tons)	No. de Poleas	Diámetro de las Poleas (plg.)	Pasteca con Placa Conectora y Grillete – Dimensiones (plg.)												Peso de c/u (lbs.)
					A	E	F	G	H	I	S	T	U	V	W	X	
<b>5 Tons</b>																	
C5S6BS	2103000	5	1	6	18.56	2.28	6.12	--	--	--	3.81	2.56	1.14	.88	.97	--	25
C5S8BS	2103002	5	1	8	20.44	2.28	8.12	--	--	--	3.81	2.56	1.14	.88	.97	--	37
C5D6BS	2103010	5	2	6	21.19	4.31	6.12	.63	.69	.84	3.81	2.56	1.14	.88	.97	2.03	40
C5D8BS	2103012	5	2	8	23.06	4.31	8.12	.63	.69	.84	3.81	2.56	1.14	.88	.97	2.03	61
C5T6BS	2103020	5	3	6	21.19	6.34	6.12	.63	.69	.84	3.81	2.56	1.14	.88	.97	2.03	54
C5T8BS	2103022	5	3	8	23.06	6.34	8.12	.63	.69	.84	3.81	2.56	1.14	.88	.97	2.03	84
<b>7.5 Tons</b>																	
C7S6BS	2103050	7.5	1	6	18.56	2.28	6.12	--	--	--	3.81	2.56	1.14	.88	.97	--	25
C7S8BS	2103052	7.5	1	8	20.44	2.28	8.12	--	--	--	3.81	2.56	1.14	.88	.97	--	37
C7D6BS	2103060	7.5	2	6	21.19	4.31	6.12	.63	.69	.84	3.81	2.56	1.14	.88	.97	2.03	40
C7D8BS	2103062	7.5	2	8	23.06	4.31	8.12	.63	.69	.84	3.81	2.56	1.14	.88	.97	2.03	61
C7T6BS	2103070	7.5	3	6	21.19	6.34	6.12	.63	.69	.84	3.81	2.56	1.14	.88	.97	2.03	54
C7T8BS	2103072	7.5	3	8	23.06	6.34	8.12	.63	.69	.84	3.81	2.56	1.14	.88	.97	2.03	84
<b>10 Tons</b>																	
C10S8BS	2103100	10	1	8	23.12	2.28	8.12	--	--	--	4.88	3.50	1.46	1.13	1.25	--	47
C10S10BS	2103102	10	1	10	25.12	2.28	10.12	--	--	--	4.88	3.50	1.46	1.13	1.25	--	60
C10S12BS	2103104	10	1	12	27.00	2.28	12.12	--	--	--	4.88	3.50	1.46	1.13	1.25	--	70
C10S14BS	2103106	10	1	14	29.12	2.28	14.12	--	--	--	4.88	3.50	1.46	1.13	1.25	--	77
C10D6BS	2103110	10	2	6	23.69	4.31	6.12	.63	.69	.84	4.88	3.50	1.46	1.13	1.25	2.03	52
C10D8BS	2103112	10	2	8	25.44	4.31	8.12	.63	.69	.84	4.88	3.50	1.46	1.13	1.25	2.03	73
C10D10BS	2103114	10	2	10	27.44	4.31	10.12	.63	.69	.84	4.88	3.50	1.46	1.13	1.25	2.03	97
C10D12BS	2103116	10	2	12	29.31	4.31	12.12	.63	.69	.84	4.88	3.50	1.46	1.13	1.25	2.03	114
C10D14BS	2103118	10	2	14	31.44	4.31	14.12	.63	.69	.84	4.88	3.50	1.46	1.13	1.25	2.03	129
C10T8BS	2103120	10	3	8	25.44	6.34	8.12	.63	.69	.84	4.88	3.50	1.46	1.13	1.25	2.03	98
C10T10BS	2103122	10	3	10	27.44	6.34	10.12	.63	.69	.84	4.88	3.50	1.46	1.13	1.25	2.03	132
C10T12BS	2103124	10	3	12	29.31	6.34	12.12	.63	.69	.84	4.88	3.50	1.46	1.13	1.25	2.03	155
C10T14BS	2103126	10	3	14	31.44	6.34	14.12	.63	.69	.84	4.88	3.50	1.46	1.13	1.25	2.03	179
C10Q8BS	2103130	10	4	8	25.44	8.37	8.12	.63	.69	.84	4.88	3.50	1.46	1.13	1.25	2.03	123
C10Q10BS	2103132	10	4	10	27.44	8.37	10.12	.63	.69	.84	4.88	3.50	1.46	1.13	1.25	2.03	169
<b>15 Tons</b>																	
C15S10BS	2103170	15	1	10	29.31	3.04	10.12	--	--	--	6.00	4.12	1.81	1.38	1.50	--	102
C15S12BS	2103172	15	1	12	31.19	3.04	12.12	--	--	--	6.00	4.12	1.81	1.38	1.50	--	118
C15S14BS	2103174	15	1	14	33.19	3.04	14.12	--	--	--	6.00	4.12	1.81	1.38	1.50	--	137
C15D10BS	2103180	15	2	10	32.31	5.34	10.12	.75	.81	1.00	6.00	4.12	1.81	1.38	1.50	2.30	147
C15D12BS	2103182	15	2	12	34.19	5.34	12.12	.75	.81	1.00	6.00	4.12	1.81	1.38	1.50	2.30	170
C15D14BS	2103184	15	2	14	36.19	5.34	14.12	.75	.81	1.00	6.00	4.12	1.81	1.38	1.50	2.30	200
C15T8BS	2103190	15	3	8	30.31	7.64	8.12	.75	.81	1.00	6.00	4.12	1.81	1.38	1.50	2.30	143
C15T10BS	2103192	15	3	10	32.31	7.64	10.12	.75	.81	1.00	6.00	4.12	1.81	1.38	1.50	2.30	190
C15T12BS	2103194	15	3	12	34.19	7.64	12.12	.75	.81	1.00	6.00	4.12	1.81	1.38	1.50	2.30	220
C15T14BS	2103196	15	3	14	36.19	7.64	14.12	.75	.81	1.00	6.00	4.12	1.81	1.38	1.50	2.30	252
C15Q10BS	2103200	15	4	10	32.31	9.94	10.12	.75	.81	1.00	6.00	4.12	1.81	1.38	1.5	2.30	232
<b>20 Tons</b>																	
C20S18BS	2103244	20	1	18	38.56	4.04	18.12	--	--	--	6.56	4.68	1.94	1.50	1.62	--	236



